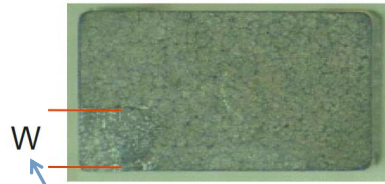
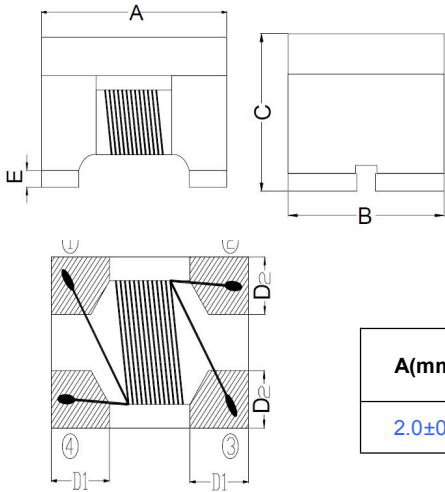


### 1.Features

1. High common mode impedance at high frequency effects excellent noise suppression performance.
2. PHCMF212P900M realizes small size and low profile. 2.0x1.2x1.2 mm.
3. 100% Lead(Pb) & Halogen-Free and RoHS compliant.

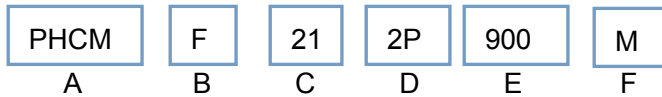


### 2.Dimension



当破损面积 $<0.3\text{mm}^2$ ,产品列入允收品范围  
产品破损宽度

A(mm)	B(mm)	C(mm)	D1(mm)	D2(mm)	E(mm)
2.0±0.2	1.2±0.2	1.2±0.2	0.55±0.1	0.46±0.1	0.15±0.1



A: HDMI Series

B: Material Ferrite Core

C: Dimension 2012

D: Number of Lines 2P=2 lines

E: Impedance 900=90Ω

F: Tolerance of common mode impedance, M=+25%

### 4.Specification

PulseTake Part Number	Common mode Impedance (Ω)	Test Frequency (MHz)	DC Resistance (Ω) max.	Rated Current (mA)	Rated Volt. (Vdc)	Withstand Volt. (Vdc)	IR (Ω) min.
PHCMF212P900M	90±25%	100	0.30	400	50	125	10M

