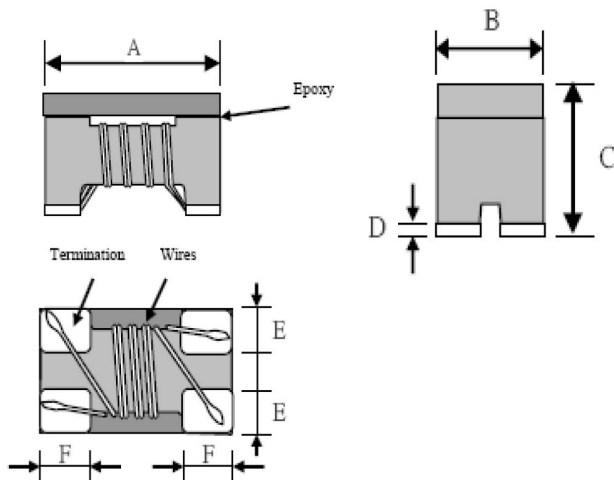


◆ PACKING DIMENSIONS (mm)


43B	Dimensions
A	4.5 ± 0.2
B	3.2 ± 0.2
C	2.8 ± 0.2
D	0.2 ± 0.1
E	1.2Typ.
F	1.0Typ.

◆ APPLICATIONS 用途

- High speed differential Signal, lines for HDMI,DVI,USB2.0,IEEE1394,etc. PC 机及周边设备、数字 AV 等其他设备的 USB 接口。
- LVDS lines of Note PC,LCD 笔记本电脑、LCD 的 LVDS 线。

◆ EXPLANATION OF PART NUMBERS

PCMF 43B - 102

(1) (2) (3)

- Product name;
- Shapes and dimensions;
Impedance 【at 100MHz】
102 : 1000Ω

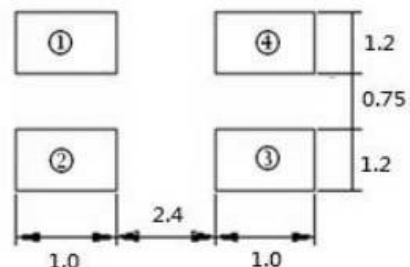
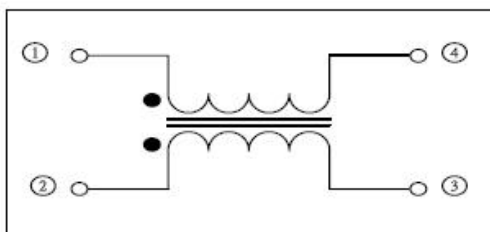
◆ ELECTRICAL CHARACTERISTICS

P/N	Z(Ω)	DCR(Ω)	Peka current	Rated Voltage	Insulation Resistance
	Common Mode				
	Impedance	[Max]	Idc(A)	Vdc	IR
	at 100MHz		[Max]	(V)Typical	(MΩ)Min.
PCMF43B-102	1000	0.10	2.0	50	10

Operating temperature : -25 to +85°C

Storage temp. and humidity : -40 to +85°C ,70%RH max

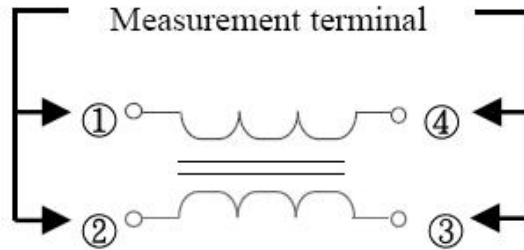
Typical Heat Rating DC Current would cause an approximately ΔT of 40°C

◆ Recommended Footprint(mm)


◆ Test Equipment

Impedance

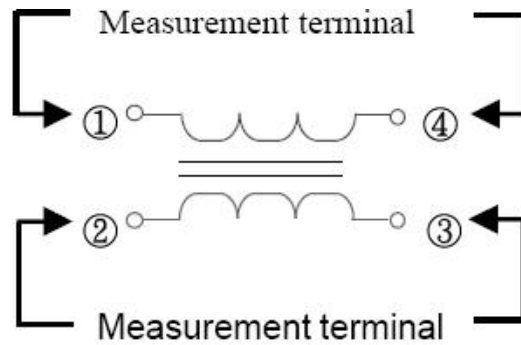
Measured by using Agilent 4291A RF Impedance Analyzer.



DC Resistance

Measurement terminal

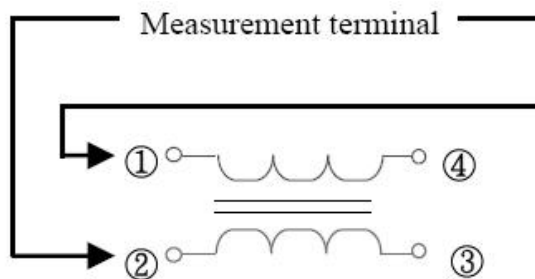
Measured by using Chroma 16502 mill ohm meter.



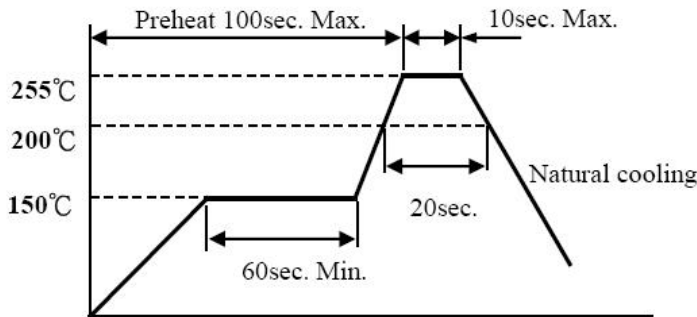
Insulation Resistance

Measured by using Chroma 19073

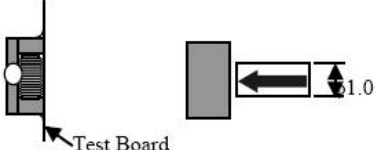
Measurement voltage : 50v ,Measurement time : 60 sec.



◆ RECOMMENDED SOLDERING TEMP. GRAPH



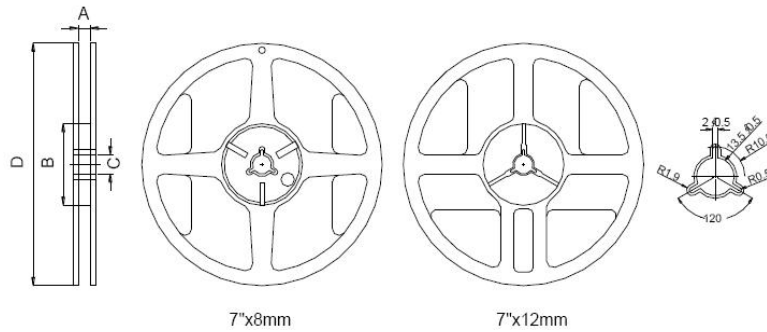
◆ MECHANICAL RELIABILITY

TEST	Specification & Requirement	Method Used
Solderability	The surface of terminal/pin tested shall be covered with new solder by 90%	Solder heat proof: Preheating: 150 ±10°C 60 seconds Soldering: 230 ±5°C for 3 ±1 sec
Solder Heat Resistance	Components should have not evidence of electrical and mechanical damage Impedance: within ±15% of initial value	Preheating: 150°C 60secs Solder temperature: 260±5°C Flux: rosin Dip time: 10±0.5 secs
Terminal strength	Series No.	F(Kg)
	18B	0.5
	21B	0.5
	31B	1.0
	43B	1.0
		Solder a chip to test substrate and then laterally apply a force in the arrow direction 

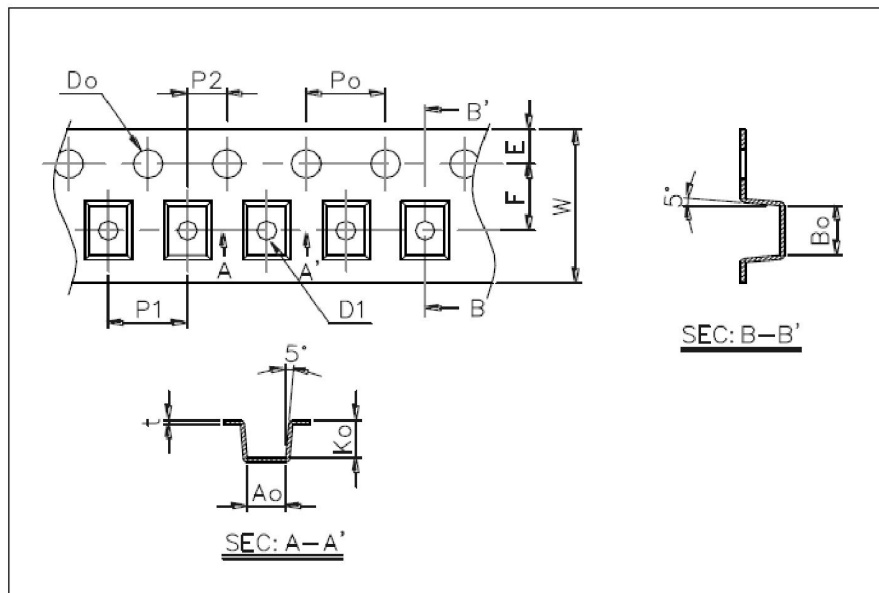
◆ ENDURANCE RELIABILITY

TEST	Specification & Requirement	Method Used
Thermal Shock	Impedance change within ± 15% Without mechanical damage	-65°C, (30 mins) -> room temp. (2 mins) -> 125°C, (30 mins) -> room temp. (2 mins) 50 cycles
Humidity Resistance	Impedance change within ± 15% Without mechanical damage	Apply IDC current @ 60°C ambient Humidity: 90% Duration: 168 hrs
Low Temp. Storing	Impedance change within ± 15% Without mechanical damage	Storing Temp. -40 ±2 °C for total 168 +5/-0 hours
High Temp. Storing	Impedance change within ± 15% Without mechanical damage	Storing Temp. 125 ±2 °C for total 168 +5/-0 hours

◆ Reel Dimension & Tape Dimension



Type	A(mm)	B(mm)	C(mm)	D(mm)
7"X8mm	9.0 ± 0.5	60 ± 2	13.5 ± 0.5	178 ± 2
7"X12mm	13.5 ± 0.5	60 ± 2	13.5 ± 0.5	178 ± 2



Size	Ao(mm)	Bo(mm)	Ko(mm)	W(mm)	E(mm)	F(mm)	Po(mm)	P1(mm)	Do(mm)
10B	1.00 ± 0.1	1.65 ± 0.1	1.18 ± 0.1	8.00 ± 0.2	1.75 ± 0.1	3.50 ± 0.05	4.0 ± 0.05	4.0 ± 0.1	$1.5 + 0.1, -0$
21B	1.50 ± 0.1	2.35 ± 0.1	1.45 ± 0.1	8.00 ± 0.2	1.75 ± 0.1	3.50 ± 0.05	4.0 ± 0.05	4.0 ± 0.1	$1.5 + 0.1, -0$
31B	1.88 ± 0.1	3.50 ± 0.1	2.10 ± 0.1	8.00 ± 0.2	1.75 ± 0.1	3.50 ± 0.05	4.0 ± 0.05	4.0 ± 0.1	$1.5 + 0.1, -0$
43B	3.45 ± 0.1	4.90 ± 0.1	3.05 ± 0.1	12.00 ± 0.2	1.75 ± 0.1	3.50 ± 0.05	4.0 ± 0.05	4.0 ± 0.1	$1.5 + 0.1, -0$

◆ Packaging Quantity

Chip Size	11B	10B	21B	31B	43B
8mm/Reel	3000	2000	2000	2000	500